

Breathing Systems

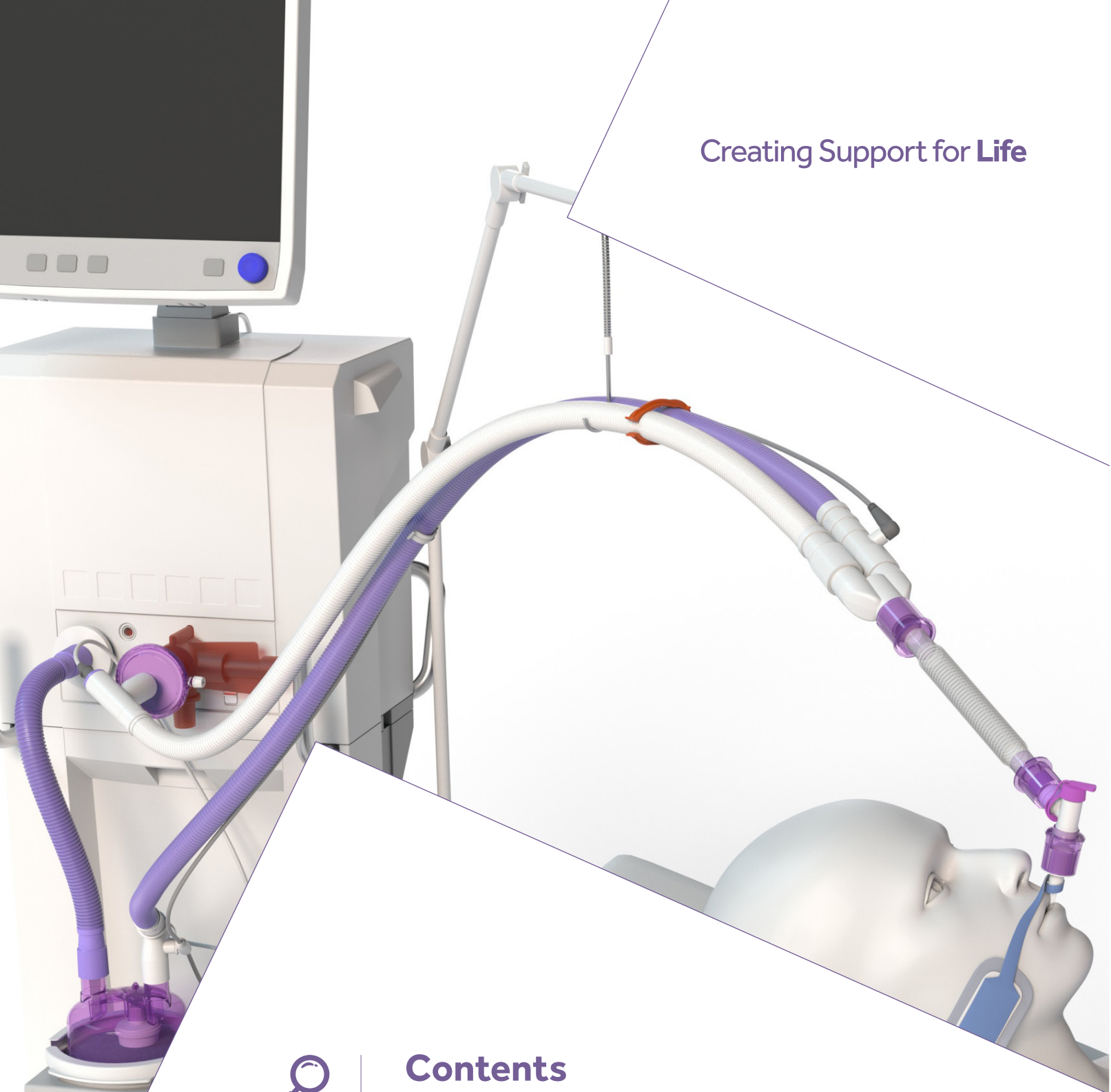
Catalogue



Creating Support for Life

armstrongmedical.net

Creating Support for Life



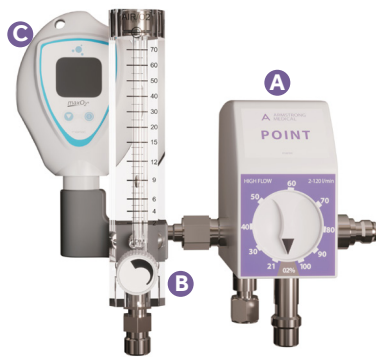
Contents

3	Medical Equipment	10	Transport Ventilation
4	High Flow & CPAP	11	Manual Ventilation
6	Non-Invasive Ventilation	12	Accessories
7	Patient interfaces, Masks & Cannula	13	Catheter Mounts
8	Invasive Ventilation	14	Helmets
		16	Neonatal

Medical Equipment



Code	Description
AMFD140i-UK	Gas flow driver
AMFD140i-EU	Gas flow driver



Code	Description
A	
AMMBFG4	POINT® high flow 0-120L/min (DISS)
AMMBFG3	NeoFlow low flow 0-30L/min (DISS)
AMMBR220P01-008	0-70L/min single NIST fixed O ₂ flow meter and pole clamp
AMMBPM1	Pole mount
B	
AMMBR219P88-400	0-30L/min rotameter flow meter
AMMBR219P87-001	0-70L/min flow meter DISS high flow
AMMBR233P01-002	Blender Buddy 2, low flow, 0-15L/min
AMMBR233P01-004	Blender Buddy 2, high flow, 0-70L/min
AMMBFM1	120L/min rotameter flow meter incl 90°
C	
AMMBMA4	Manometer (-30 to +30 cm H ₂ O) incl clamp & bracket
AMMBR217P62	Oxygen analyzer for use with Blender Buddy 2
AMMBR217P72	External oxygen analyzer 1pc

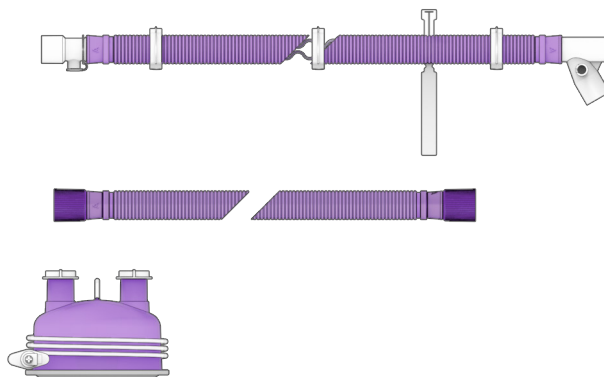


Code	Description
AMHH2600A-EU	AquaVENT® heater humidifier, servo-controlled EU
AMHH2600A-UK	AquaVENT® heater humidifier, servo-controlled UK
AMHH2600A-NA	AquaVENT® heater humidifier, servo-controlled NA

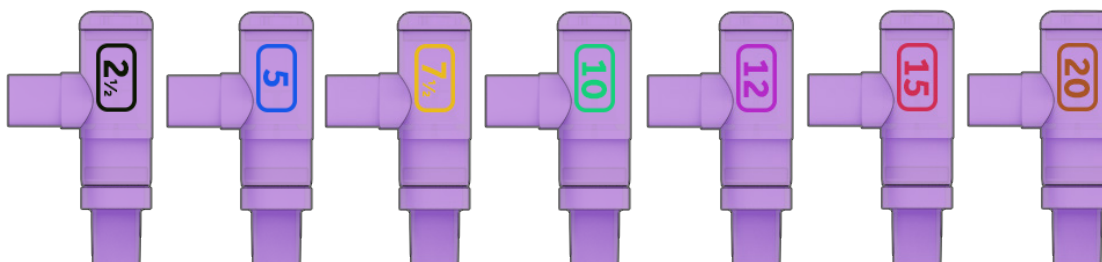
ACCESSORIES

AMHH73015	1.5m temp probe for AquaVENT® heater
AMHH73018	1.8m temp probe for AquaVENT® heater
AMHH2100139	Rail clamp (36mm) for AquaVENT® heater
AMHH2100140	Rail clamp (32mm) for AquaVENT® heater
AMHH2100141	Pole clamp for AquaVENT® heater
GGHC2600F01	Adaptor cable AquaVENT® AMHH2600A SINGLE LIMB
GGHC2600F02	Adaptor cable AquaVENT® AMHH2600A DUAL LIMB
GGHCAIRCONF02	Heater humidifier adaptor cable 'Aircon'

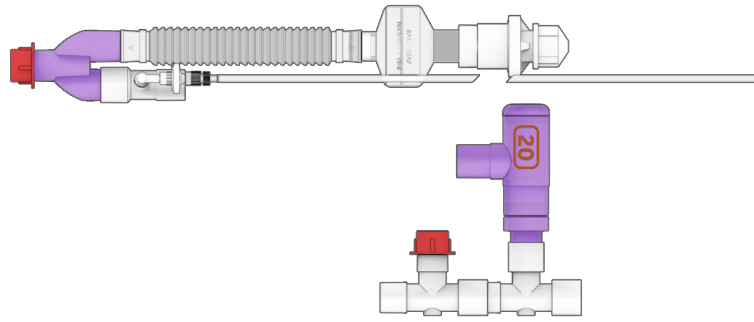
High Flow & CPAP



Code	Description	Case Quantity	Pallet Quantity
AMHO1509-008	<ul style="list-style-type: none"> • Adult Flowkit AquaVENT® heated humidified oxygen circuit • 1.5m heated limb • Humidification limb length 0.6m • Humidification chamber • Including AquaNASE® Nasal High Flow Cannula, size medium (5mm) 	20	240
AMHO1509-034	<ul style="list-style-type: none"> • Adult AquaVENT® Humidified Oxygen System for POINT® • Heated for use with '850' series heater humidifiers • Length 1.6m • Humidification limb length 0.6m • Auto-fill humidification chamber • AquaNASE® Nasal High Flow System, size medium (5mm) 	20	240
AMHO1509-039	<ul style="list-style-type: none"> • Adult AquaVENT® Humidified Oxygen System for POINT® • Heated for use with '850' series heater humidifiers • Length 1.6m • Humidification limb length 0.6m • Auto-fill humidification chamber 	20	240

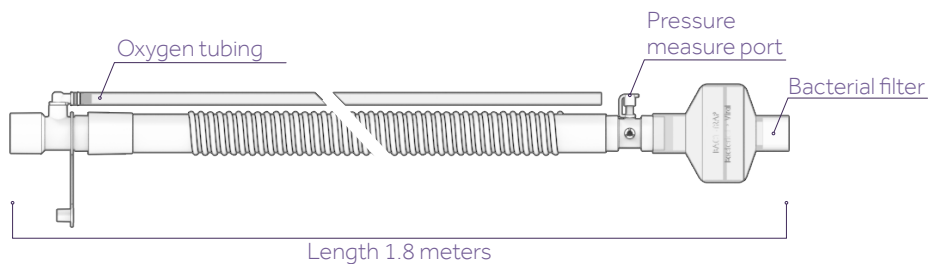


Code	Description	Case Quantity	Pallet Quantity
AMPV9003	• Clariti PEEP valve 2.5cm H ₂ O	450	4860
AMPV9005	• Clariti PEEP valve 5cm H ₂ O	450	4860
AMPV9007	• Clariti PEEP valve 7.5cm H ₂ O	450	4860
AMPV9010	• Clariti PEEP valve 10cm H ₂ O	450	4860
AMPV9012	• Clariti PEEP valve 12.5cm H ₂ O	450	4860
AMPV9015	• Clariti Safety valve 15cm H ₂ O	450	4860
AMPV9020	• Clariti Safety valve 20cm H ₂ O	450	4860

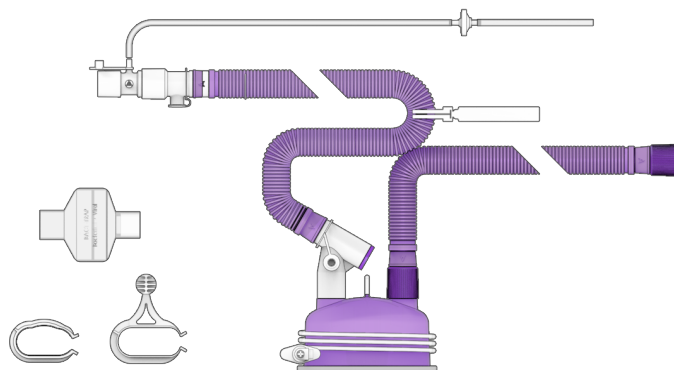


Code	Description	Case Quantity	Pallet Quantity
AMCPUK01271 (COVID-19 use)	<ul style="list-style-type: none"> • Adult CPAP System (part of), patient interface attachment • Manometer line assembly (4mm ID) • Adjustable patient PEEP valve (5-20cm H₂O) • Safety valve • Bacterial viral filter 	40	480
AMCPUK01272 (COVID-19 use)	<ul style="list-style-type: none"> • Adult CPAP System (part of), patient interface attachment • Manometer line assembly (3mm ID) • Adjustable patient PEEP valve (5-20cm H₂O) • Safety valve • Bacterial viral filter 	40	480
AMCPUK01240	<ul style="list-style-type: none"> • Adult CPAP System (part of) • Y-piece attachment • 5cm patient PEEP valve • Safety valve assembly • Manometer line 	20	240
AMCPUK01235	<ul style="list-style-type: none"> • Adult CPAP System • Non-heated • Length 2.0m in standard corrugated tubing • 5cm patient PEEP valve • Ultraseal headgear • Humidification limb length 0.8m in standard corrugated tubing • Safety valve • Oxygen analyser T-piece • Auto-fill humidification chamber • Non-vented bi-level face mask size small 	20	240
AMCPUK01258	<ul style="list-style-type: none"> • Adult CPAP System (part of) • Y-piece attachment • 5cm patient PEEP valve • Safety valve assembly • Manometer line 	40	480

Non-Invasive Ventilation



Code	Description	Case Quantity	Pallet Quantity
AMVC1792-010	<ul style="list-style-type: none"> • Adult ventilator circuit • Single limb • Non-heated • Length 1.8m • Exhalation valve • Bacterial viral breathing filter • Pressure line 	40	480
AMVC1792-013	<ul style="list-style-type: none"> • Adult ventilator circuit • Single limb • Non-heated • Length 1.8m • Exhalation valve • Bacterial viral breathing filter 	40	480



Code	Description	Case Quantity	Pallet Quantity
AMVC1792-032	<ul style="list-style-type: none"> • Adult ventilator circuit • Single limb • Heated for use with 850 heater humidifier • Length 1.5m • Exhalation valve with tubing • 0.2µm hydrophobic gas filter • Humidification limb length 0.9m • Auto-fill humidification chamber • Bacterial viral breathing filter 	20	240

Patient Interfaces

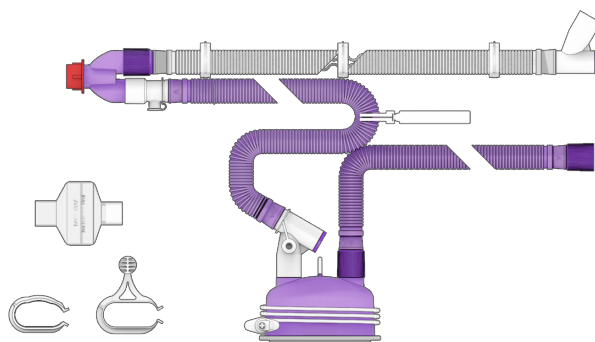


Code	Description	Case Quantity	Pallet Quantity
AMNS2004	• AquaNASE® nasal high flow cannula small (orange)	240	2880
AMNS2005	• AquaNASE® nasal high flow cannula medium (purple)	240	2880

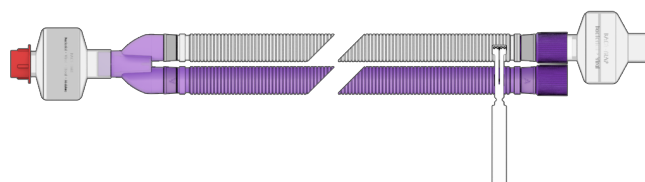


Code	Description	Case Quantity	Pallet Quantity
HSFM11317Y	• Full Face Mask • Child X Large • Non-vented elbow	90	1080
HSFM11316Y	• Full Face Mask • Child Large • Non-vented elbow	90	1080
HSFM11315Y	• Full Face Mask • Child Medium • Non-vented elbow	90	1080
HSFM11314Y	• Full Face Mask • Child Small • Non-vented elbow	90	1080
HSFM10211Y	• Silicone Full Face Mask • Adult Large • Non-vented AAV elbow	90	1080
HSFM10214Y	• Silicone Full Face Mask • Adult Medium • Non-vented AAV elbow	90	1080
HSFM10217Y	• Silicone Full Face Mask • Adult Small • Non-vented AAV elbow	90	1080
HSFM10211	• Silicone Full Face Mask • Adult Large • Non-vented elbow	90	1080
HSFM10214	• Silicone Full Face Mask • Adult Medium • Non-vented elbow	90	1080
HSFM10217	• Silicone Full Face Mask • Adult Small • Non-vented elbow	90	1080

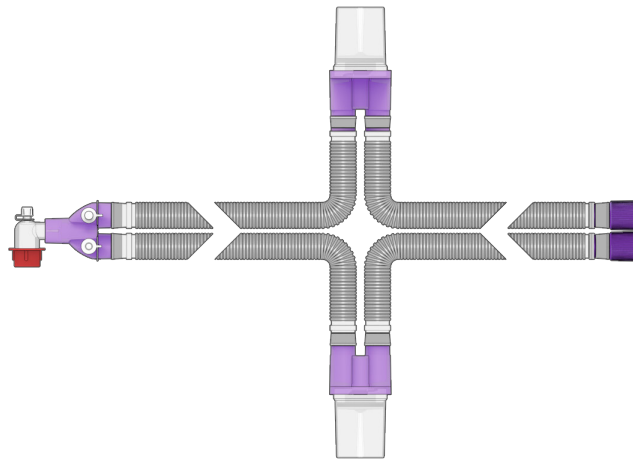
Invasive Ventilation



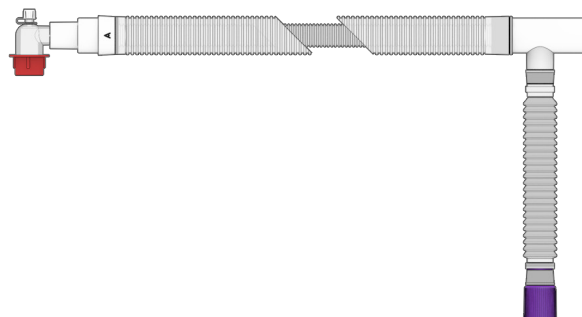
Code	Description	Case Quantity	Pallet Quantity
AMVC1775-110	<ul style="list-style-type: none"> • Adult AquaVENT® ventilator circuit • Dual heated limbs for use with '850' series heater humidifiers • Length 1.5m • Heated inspiratory limb • Heated expiratory limb • 0.6m humidification limb • Bacterial viral breathing filter • Auto-fill humidification chamber 	20	240
AMVC1775-106	<ul style="list-style-type: none"> • Adult AquaVENT® ventilator circuit • Dual heated limbs for use with '850' series heater humidifiers • Length 1.5m • Heated inspiratory limb • Heated expiratory limb • 0.6m humidification limb • Auto-fill humidification chamber 	20	240
AMVC1775-128	<ul style="list-style-type: none"> • Adult AquaVENT® ventilator circuit • Dual heated limbs for use with '850' series heater humidifiers • Length 1.5m with heated inspiratory limb • Heated breathable expiratory limb • 0.45m humidification limb • Bacterial viral breathing filter • Auto-fill humidification chamber 	20	240
AMVC1774-114	<ul style="list-style-type: none"> • Adult AquaVENT® ventilator circuit • Single limb heated for use with '850' series heater humidifiers • Length 1.5m with heated inspiratory limb • 0.6m humidification limb • Detachable expiratory limb • Auto-fill humidification chamber • Bacterial viral breathing filter 	20	240



Code	Description	Case Quantity	Pallet Quantity
AMVC1812-004	<ul style="list-style-type: none"> • Adult ventilator circuit • Length 1.6m in standard corrugated tubing • Bacterial HME filter • Machine end bacterial viral breathing filter 	20	240

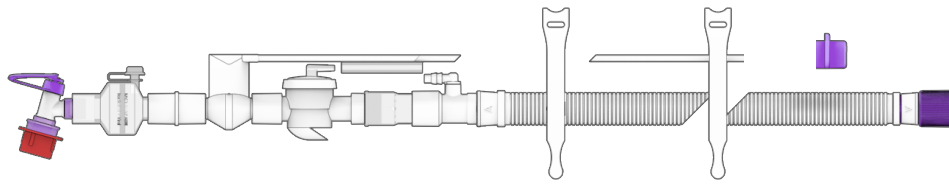


Code	Description	Case Quantity	Pallet Quantity
AMVC1790-053	<ul style="list-style-type: none"> • Adult ventilator circuit • Length 1.6m • Inspiratory and expiratory limb • Water traps and temperature • Pressure-ported parallel Y-piece • Capnography-ported patient elbow 	20	240

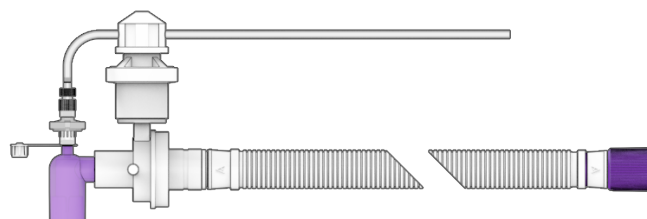


Code	Description	Case Quantity	Pallet Quantity
AMUF1910	<ul style="list-style-type: none"> • Adult Combi-Flex universal breathing system • Length 1.8m • 0.3m expiratory limb • BioCote® anti-microbial protection 	40	480
AMUF1920	<ul style="list-style-type: none"> • Adult Combi-Flex universal breathing system • Length 2.4m • 0.3m expiratory limb • BioCote® anti-microbial protection 	20	240
AMUF1910-037	<ul style="list-style-type: none"> • Adult Combi-Flex system • Length 1.8m • Flow sensor Hamilton T1 transport vent 	20	240

Transport Ventilation

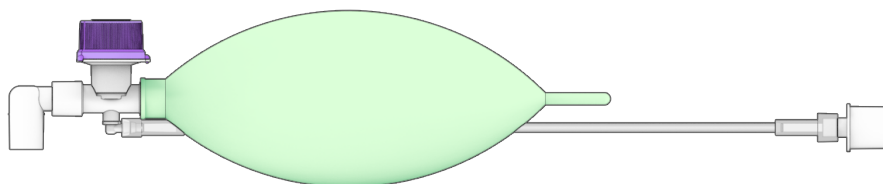


Code	Description	Case Quantity	Pallet Quantity
AMVC1871-175	<ul style="list-style-type: none"> • Adult ventilator circuit • Length 1.6m for Dräger Oxylog® 2000Plus, 3000 and 3000Plus transport ventilators • Mini capnography ported bacterial viral filter HME (for ventilators set-up to use single use circuits) 	20	240
AMVC1871-078	<ul style="list-style-type: none"> • Adult ventilator circuit • Length 1.6m for Dräger Oxylog® 2000Plus, 3000 and 3000Plus transport ventilators 	20	240
AMVC1871-141	<ul style="list-style-type: none"> • Adult ventilator circuit • Length 1.6m for Dräger Oxylog® 2000Plus, 3000 and 3000Plus transport ventilators (for ventilators set-up to use single use circuits) 	20	240
AMVC1871-144	<ul style="list-style-type: none"> • Adult ventilator circuit • Length 3.0m for Dräger Oxylog® 2000Plus, 3000 and 3000Plus transport ventilators (for ventilators set-up to use single use circuits) 	20	240



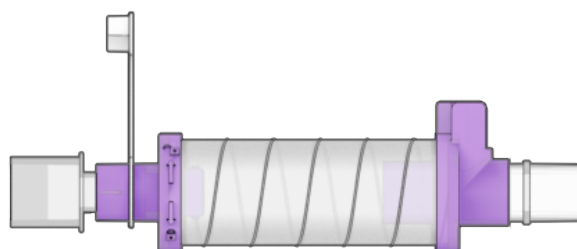
Code	Description	Case Quantity	Pallet Quantity
AMVC1871-203	<ul style="list-style-type: none"> • Adult ventilator circuit • Length 1.2m • For use with Smiths Medical PneuPac® transport ventilator 	40	480

Manual Ventilation



Code	Description	Case Quantity	Pallet Quantity
AMBSN1604-5-2	<ul style="list-style-type: none"> • Adult Mapleson C resuscitation circuit • 2.1m kink resistant oxygen tubing with universal oxygen connectors • 60cm H₂O adjustable Ultra APL valve • 2.0l latex-free breathing bag 	120	1440
AMBSN1604-5-5	<ul style="list-style-type: none"> • Adult Mapleson C resuscitation circuit • 2.1m kink resistant oxygen tubing with universal oxygen connectors • 60cm H₂O adjustable Ultra APL valve • 2.0l latex-free breathing bag • Bact/Trap mini filter 	120	1440

Accessories

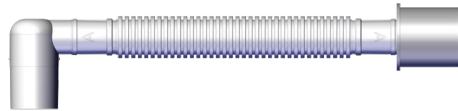


Code	Description	Case Quantity	Pallet Quantity
AMDN1312	<ul style="list-style-type: none"> • Spirale® DDS • Adaptors for insertion to inspiratory limb of breathing circuit 	240	2880

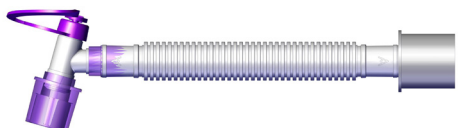
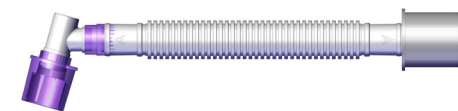
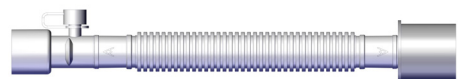
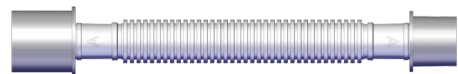
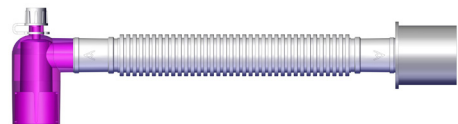
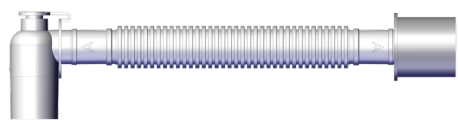


Code	Description	Case Quantity	Pallet Quantity
AMCAI1456-001	Dual flow meter tubing assembly	100	1200

Catheter Mounts

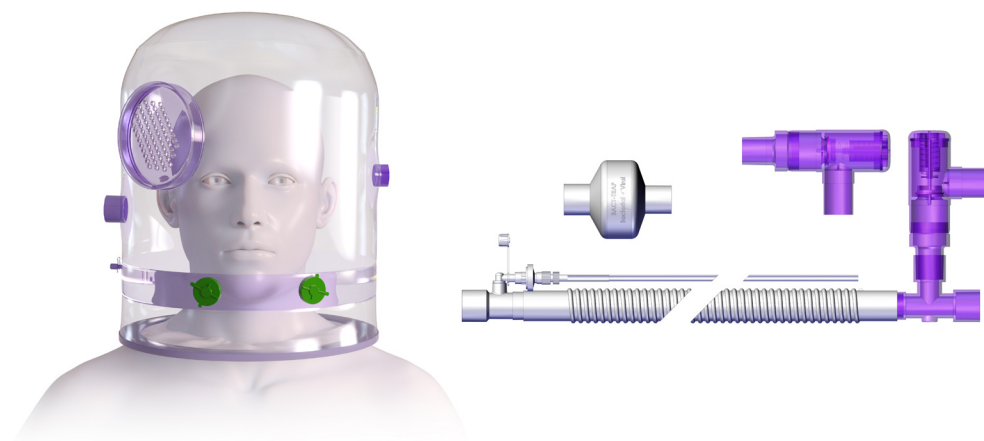


Code	Description	Case Quantity	Pallet Quantity
AMCM5111	<ul style="list-style-type: none"> • Corrugated plain elbow tubing • Length 170mm • Connection 22mmM (15mmF) • End connection 22mmF 	300	3600
AMCM5112	<ul style="list-style-type: none"> • Corrugated 7.6mm suction ported elbow • Length 170mm • Connection 22mmM (15mmF) • End connection 22mmF 	300	3600
AMCM5113	<ul style="list-style-type: none"> • Corrugated CO₂ ported elbow • Length 170mm • Connection 22mmM (15mmF) • End connection 22mmF 	300	3600
AMCM5114	<ul style="list-style-type: none"> • Corrugated straight connector • Length 170mm • Connection 22mmM (15mmF) • End connection 22mmF 	300	3600
AMCM5115	<ul style="list-style-type: none"> • Corrugated CO₂ ported straight connector • Length 170mm • Connection 22mmM (15mmF) • End connection 22mmF 	300	3600
AMCM5116	<ul style="list-style-type: none"> • Corrugated double swivel elbow • Length 170mm • Connection 22mmM (15mmF) • End connection 22mmF 	300	3600
AMCM5117	<ul style="list-style-type: none"> • Corrugated double swivel ported elbow • Length 170mm • connection 22mmM (15mmF) • End connection 22mmF 	300	3600
AMCM5118	<ul style="list-style-type: none"> • Corrugated double swivel bronchoscopy elbow • Length 170mm • Connection 22mmM (15mmF) • End connection 22mmF 	300	3600

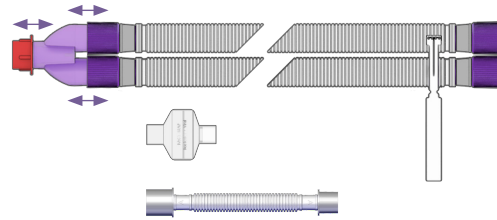


A full list of codes is available on our website www.armstrongmedical.net/product/catheter-mounts

Helmet NIV



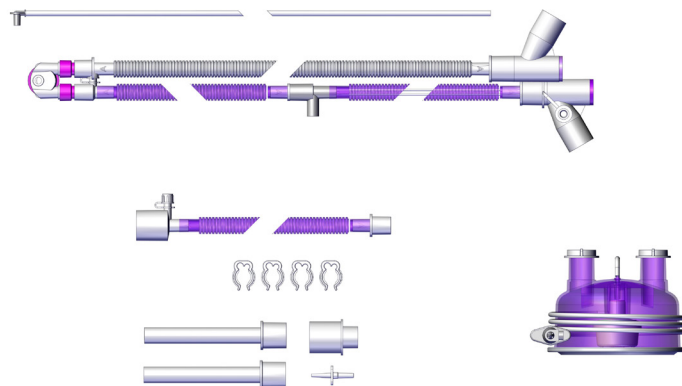
Code	Description	Case Quantity
AMCPUK01275	<ul style="list-style-type: none"> • CPAP system for CPAP helmet • Adult • Non-heated • Length 2.4m in smooth bore polyethylene tubing • 5cm H₂O patient PEEP valve • Pressure manometer line assembly • Safety valve • Bacterial viral breathing filter • NIV/CPAP Helmet size SMALL 	10
AMCPUK01276	<ul style="list-style-type: none"> • CPAP system for CPAP helmet • Adult • Non-heated • Length 2.4m in smooth bore polyethylene tubing • 5cm H₂O patient PEEP valve • Pressure manometer line assembly • Safety valve • Bacterial viral breathing filter • NIV/CPAP Helmet size MEDIUM 	10
AMCPUK01277	<ul style="list-style-type: none"> • CPAP system for CPAP helmet • Adult • Non-heated • Length 2.4m in smooth bore polyethylene tubing • 5cm H₂O patient PEEP valve • Pressure manometer line assembly • Safety valve • Bacterial viral breathing filter • NIV/CPAP Helmet size LARGE 	10
AMCPUK01278	<ul style="list-style-type: none"> • CPAP system for CPAP helmet • Adult • Non-heated • Length 2.4m in smooth bore polyethylene tubing • 5cm H₂O patient PEEP valve • Pressure manometer line assembly • Safety valve • Bacterial viral breathing filter • NIV/CPAP Helmet size EXTRA LARGE 	10



Code	Description	Case Quantity
AMVC1812-057	<ul style="list-style-type: none"> • Ventilator circuit • Adult • Length 2.0m in corrugated tubing • Catheter mount length 150mm in corrugating tubing • Pressure measurement line • T-piece • 2 x bacterial viral breathing filters • NIV/CPAP Helmet size SMALL 	10
AMVC1812-058	<ul style="list-style-type: none"> • 2 x bacterial viral breathing filters • NIV/CPAP Helmet size SMALL • Length 2.0m in corrugated tubing • Catheter mount length 150mm in corrugating tubing • Pressure measurement line • T-piece • 2 x bacterial viral breathing filters • NIV/CPAP Helmet size MEDIUM 	10
AMVC1812-059	<ul style="list-style-type: none"> • Ventilator circuit, • Adult • Length 2.0m in corrugated tubing • Catheter mount length 150mm in corrugating tubing • Pressure measurement line • T-piece • 2 x bacterial viral breathing filters • NIV/CPAP Helmet size LARGE 	10
AMVC1812-060	<ul style="list-style-type: none"> • Ventilator circuit • Adult • Length 2.0m in corrugated tubing • Catheter mount length 150mm in corrugating tubing • Pressure measurement line • T-piece • 2 x bacterial viral breathing filters • NIV/CPAP Helmet size EXTRA LARGE 	10

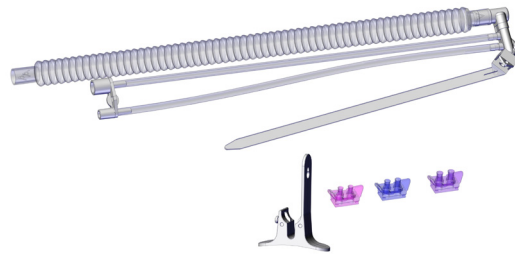
Neonatal

Invasive ventilation

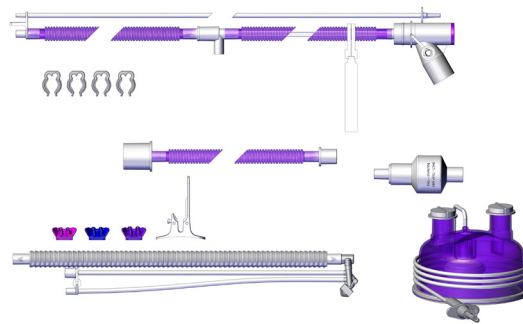


Code	Description	Case Quantity	Pallet Quantity
AMVC1775-203	<ul style="list-style-type: none"> • Neonatal AquaVENT® Neo VT ventilator circuit for SLE 4000, 5000 and 6000 • Dual limb heated for use with '850' series heater humidifier • Length 1.35m with heated inspiratory and expiratory limbs • Flow restrictor • Pressure line assembly • Humidification limb length 0.6m • Auto-fill humidification chamber • Nitric oxide delivery kit and adaptor kit 	20	240
AMVC1775-204	<ul style="list-style-type: none"> • Neonatal AquaVENT® Neo VT ventilator circuit • Dual limb heated for use with '850' series heater humidifier • Length 1.35m with heated inspiratory and expiratory limbs • Pressure line assembly • Humidification limb length 0.6m • Auto-fill humidification chamber • Nitric oxide delivery kit and adaptors 	20	240
AMVC1775-162	<ul style="list-style-type: none"> • Neonatal AquaVENT® Neo ventilator circuit, for gas flow range 0.3 to 4L.min., • Dual limb heated for use with '850' series heater humidifier • Length 1.35m with heated inspiratory limb • Pressure line assembly • Humidification limb length 0.6m • Auto-fill humidification chamber • Nitric oxide delivery kit and adaptors 	20	240
AMVC1775-175	<ul style="list-style-type: none"> • Neonatal AquaVENT® Neo ventilator circuit for HFO • Dual limb heated for use with '850' series heater humidifier • Length 1.35m with heated inspiratory limb • Pressure line assembly • Humidification limb length 0.6m • Auto-fill humidification chamber • Nitric oxide adaptors 	20	240
AMVC1774-157	<ul style="list-style-type: none"> • Neonatal AquaVENT® Neo ventilator circuit • Single limb heated for use with '850' series heater humidifier • Length 1.2m with heated inspiratory limb • Pressure line with water trap on expiratory limb • Humidification limb length 0.6m • Auto-fill humidification chamber (similar to F+P codes RT225 and RT226) 	20	240

nCPAP



Code	Description	Case Quantity	Pallet Quantity
AMCP600-002	<ul style="list-style-type: none"> • Neonatal NeoFlow nCPAP generator set • Small, medium and large nasal prongs • Cradle 	120	1140



Code	Description	Case Quantity	Pallet Quantity
AMCP1409-044	<ul style="list-style-type: none"> • Neonatal AquaVENT® Neo CPAP limb for Infant Flow • Heated for use with '850' series heater humidifier • Length 1.2m • Detachable incubator limb • Pressure line • Humidification limb length 0.6m • Auto-fill humidification chamber • NeoFlow generator and nasal prong set • Exhaust filter/silencer 	20	240
AMCP1409-027	<ul style="list-style-type: none"> • Neonatal AquaVENT® Neo CPAP limb for Infant Flow • Heated for use with '850' series heater humidifier • Length 1.2m • Pressure line • Nitric oxide delivery and measurement ports • Humidification limb length 0.6m • Auto-fill humidification chamber • NeoFlow generator and nasal prong set 	20	240
AMCP1409-037	<ul style="list-style-type: none"> • Neonatal AquaVENT® Neo neonatal limb for SiPAP and Acutronic Fabian • Heated for use with '850' series heater humidifier • Length 1.2m • Pressure line • Humidification limb length 0.5m • Auto-fill humidification chamber • NeoFlow generator and nasal prong set • Silencer and adaptor set 	20	240
AMCP1409-072	<ul style="list-style-type: none"> • Neonatal AquaVENT® Neo neonatal limb for SiPAP and Acutronic Fabian • Heated for use with '850' series heater humidifier • Length 1.2m • Pressure line • Humidification limb length 0.5m • Auto-fill humidification chamber • Silencer and adaptor set 	20	240



Code	Description	Case Quantity	Pallet Quantity
AMNP2000XS	• nCPAP prongs, extra-small (green)	10	14400
AMNP2000S	• nCPAP prongs, small (pink)	10	14400
AMNP2000M	• nCPAP prongs, medium (blue)	10	14400
AMNP2000L	• nCPAP prongs, large (purple)	10	14400
AMNM1000S	• nCPAP mask, small (pink)	10	14400
AMNM1000M	• nCPAP mask, medium (blue)	10	14400
AMNM1000L	• nCPAP mask, large (purple)	10	14400
AMNM1000XL	• nCPAP mask, extra-large (yellow)	10	14400

nCPAP Bonnets



Code	Description	Case Quantity	Pallet Quantity
AMBT100/XXS	• Bonnet pre-term (light blue) (up to 24cm)	20	5760
AMBT100/XS	• Bonnet extra-small (white) (24-28cm)	20	5760
AMBT100/S	• Bonnet small (yellow) (28-31cm)	20	5760
AMBT100/M	• Bonnet medium (purple) (31-34cm)	20	5760
AMBT100/L	• Bonnet large (green) (34-38cm)	20	5760
AMBT100/XL	• Bonnet extra-large (38-42cm)	20	5760

HFOT

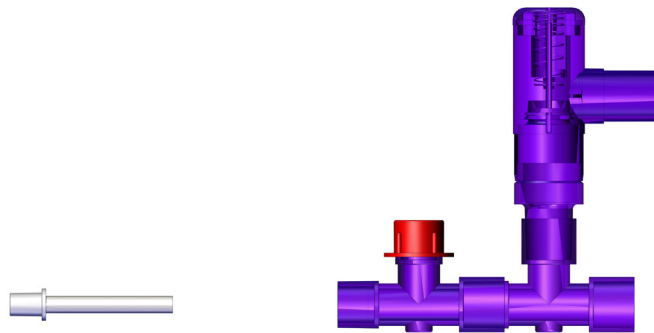


Code	Description	Case Quantity	Pallet Quantity
AMHO1509-009	<ul style="list-style-type: none"> • Neonatal AquaVENT® Neo Humidified Oxygen System for nasal cannula • Heated for use with '850' series heater humidifier • Length 1.2m with oxygen line • Safety valve • Oxygen analyser T-piece • Auto-fill humidification chamber 	20	240
AMHO1509-052	<ul style="list-style-type: none"> • Neonatal AquaVENT® Neo humidified oxygen system • Heated for use with '850' series heater humidifier • Length 1.2m • Humidification limb length 0.6m • nHFOT adaptor kit • Auto-fill humidification chamber 	20	240

Code	Description	Case Quantity	Pallet Quantity
AMNC3001	• NeoFlow nHFOT cannula with fixation, premature 1 to 8L/min red	20	2880
AMNC3002	• NeoFlow nHFOT cannula with fixation, neonatal 1 to 8L/min yellow	20	2880
AMNC3003	• NeoFlow nHFOT cannula with fixation, infant 1 to 10L/min light purple	20	2880
AMNC3004	• NeoFlow nHFOT cannula with fixation, large infant 1 to 20L/min dark purple	20	2880
AMNC3005	• NeoFlow nHFOT cannula with fixation, paediatric 1 to 25L/min green	20	2880

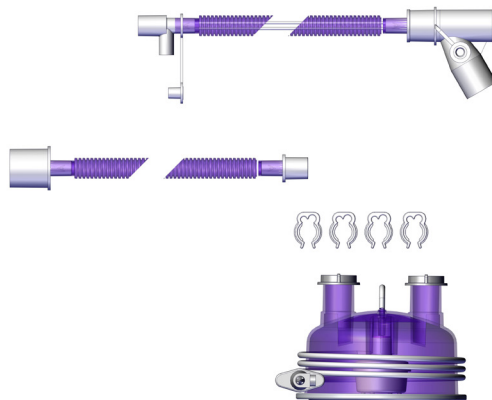
Code	Description	Case Quantity	Pallet Quantity
AMNC2001	• Basic nHFOT cannula, premature 1 to 8L/min	25	7200
AMNC2002	• Basic nHFOT cannula, neonatal 1 to 8L/min	25	7200
AMNC2003	• Basic nHFOT cannula, infant 1 to 10L/min	25	7200
AMNC2004	• Basic nHFOT cannula, large infant 1 to 20L/min	25	7200
AMNC2005	• Basic nHFOT cannula, paediatric 1 to 25L/min	25	7200

Transition Kits



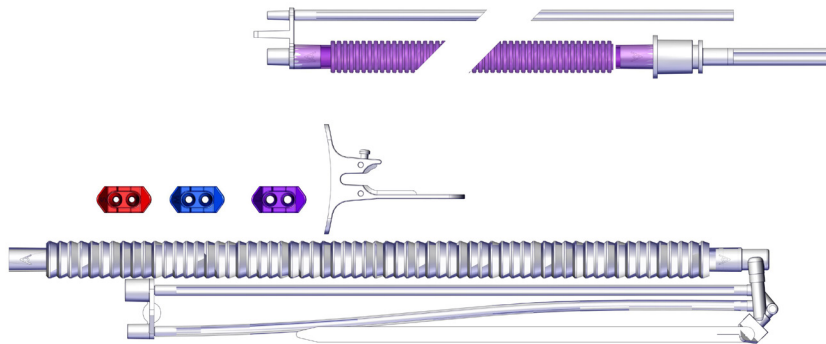
Code	Description	Case Quantity	Pallet Quantity
AMHO1509-029	<ul style="list-style-type: none"> • Neonatal AquaVENT® Neo Humidified Oxygen System (part of) • Humidification limb adaptor • Safety valve 	60	1440
Code	Description	Case Quantity	Pallet Quantity
AMCP1409-081	<ul style="list-style-type: none"> • Neonatal AquaVENT® Neo CPAP system (part of) • Incubator limb • Pressure line • NeoFlow CPAP generator/nasal prongs kit • Exhaust filter/silencer 	40	480
Code	Description	Case Quantity	Pallet Quantity
AMVC1775-176	<ul style="list-style-type: none"> • Neonatal AquaVENT® Neo ventilator circuit (part of) • Heated expiratory limb • Pressure line assembly 	40	480

Base Kit

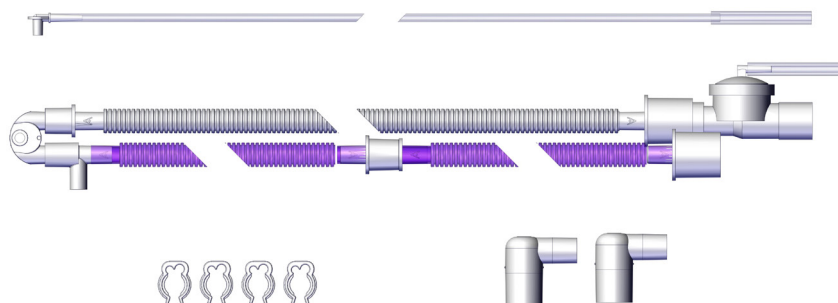


Code	Description	Case Quantity	Pallet Quantity
AMCP1409-080	<ul style="list-style-type: none"> • Neonatal AquaVENT® Neo CPAP system (part of) • Heated for use with '850' series heater humidifier • Length 1.2m • Humidification limb length 0.6m • Auto-fill humidification chamber 	20	240

Transport

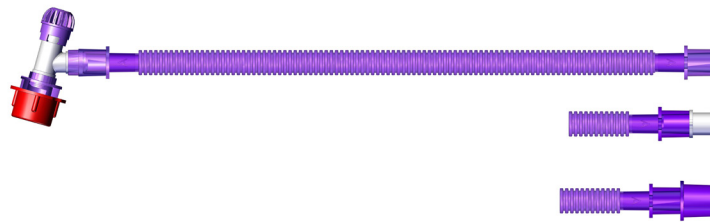


Code	Description	Case Quantity	Pallet Quantity
AMCP1409-093	<ul style="list-style-type: none"> • Neonatal AquaVENT® Neo • CPAP limb for Acutronic Fabian (patient transportation only) • Non-heated • Length 1.2m • Pressure line • NeoFlow nCPAP generator/nasal prongs kit 	40	480



Code	Description	Case Quantity	Pallet Quantity
AMVC1812-010	<ul style="list-style-type: none"> • Neonatal AquaVENT® Neo ventilator circuit • Non-heated • Length 1.2m • Pressure line for use with Biomed/Crossvent Infant Transport Ventilators 	40	480
AMVC1812-042	<ul style="list-style-type: none"> • Neonatal AquaVENT® Neo ventilator circuit for transportation only 	40	480
AMVC1812-049	<ul style="list-style-type: none"> • Neonatal AquaVENT® Neo ventilator circuit • Non-heated • Length 1.8m • Pressure line • High flow and nCPAP adaption set 	20	240
AMVC1812-052	<ul style="list-style-type: none"> • Ventilator transport circuit • Unheated for use with babyPAC 	40	480

Resuscitation



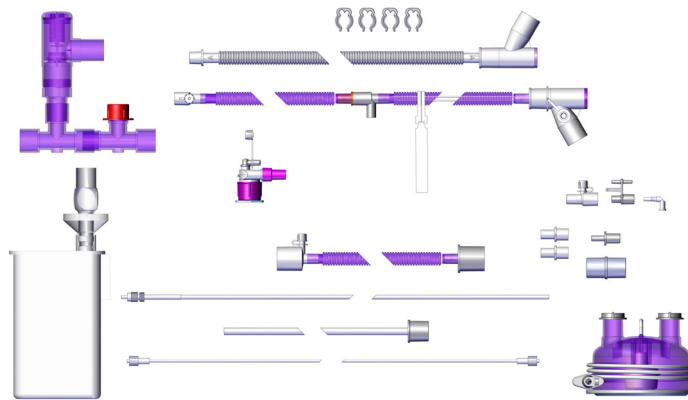
Code	Description	Case Quantity	Pallet Quantity
AMVC1871-164	• Neonatal NeoFlow limb length 1.2m	120	1440
AMVC1871-165	• Neonatal NeoFlow limb length 1.5m	120	1440
AMVC1871-199	• Neonatal NeoFlow limb length 2.0m	120	1440
AMVC1871-210	• Neonatal NeoFlow limb length 2.4m to fit NeoPuff and Resuscitaire	120	1440
AMVC1871-171	• Neonatal NeoFlow limb length 1.5m with size 1 mask (large infant)	120	1440
AMVC1871-173	• Neonatal NeoFlow limb length 1.5m to fit Resuscitaire, Neopuff, Panda and Tom Thumb	120	1440
AMVC1871-169	• Neonatal NeoFlow limb length 1.5m to fit Tom Thumb	120	1440
AMHO1509-014	<ul style="list-style-type: none"> • Neonatal AquaVENT® NeoFlow Humidified Oxygen System • Heated for use with '850' series heater humidifiers • Length 1.2m • Humidification limb length 0.6m • Auto-fill humidification chamber 	20	240

Resus Masks



Code	Description	Case Quantity	Pallet Quantity
AMFM4100	• Round Silicone Face Mask 00 neonate	100	7200
AMFM4105	• Round Silicone Face Mask 0 small infant	100	7200
AMFM4115	• Round Silicone Face Mask 1 large infant	75	5400
AMFM4125	• Round Silicone Face Mask 2 small child	50	3600

Bubble CPAP



Code	Description	Case Quantity	Pallet Quantity
AMCP1408-002	<ul style="list-style-type: none"> • Neonatal AquaVENT® Neo Bubble nCPAP system • Single limb heated for use with '850' series heater humidifier • Length 1.35m heated inspiratory limb • Pressure line assembly • Humidification limb length 0.6m • Auto-fill humidification chamber • Bubble valve assembly • Miniflow nCPAP assembly 	20	240
AMCP1408-003	<ul style="list-style-type: none"> • Neonatal AquaVENT® Neo Bubble nCPAP system • Single limb heated for use with '850' series heater humidifier • Length 1.35m heated inspiratory limb • Pressure line assembly • Humidification limb length 0.6m • Auto-fill humidification chamber • Bubble valve assembly 	20	240
AMCP1408-005	<ul style="list-style-type: none"> • Neonatal AquaVENT® Neo Bubble nCPAP system • Single limb heated for use with '850' series heater humidifier • Length 1.35m heated inspiratory limb • Pressure line assembly • Humidification limb length 0.6m • Auto-fill humidification chamber • Bubble valve assembly • Adapter kit 	20	240
AMCP1408-010	<ul style="list-style-type: none"> • Neonatal AquaVENT® Neo Bubble nCPAP system • Single limb heated for use with '850' series heater humidifier • Length 1.35m heated inspiratory limb • Pressure line assembly • Humidification limb length 0.6m • Auto-fill humidification chamber • Bubble valve assembly 	20	240

Bubble CPAP



Code	Description	Case Quantity
MEDN4000	• MINIFLOW Bubble CPAP generator/interface	10



Code	Description	Case Quantity
MEDN1215-10	• Bonnet size Small (Yellow) (21cm -23cm) 10pc	10
MEDN1216-10	• Bonnet size Medium (Red) (23cm - 25.5cm) 10pc	10
MEDN1217-10	• Bonnet size Large (Blue) (25.5 - 28cm) 10pc	10
MEDN1218-10	• Bonnet size XL (Orange) (28 - 30cm) 10pcs	10
MEDN1219-10	• Bonnet size XXL (Green) (30 - 33cm) 10pcs	10
MEDN1220-10	• Bonnet size XXXL (White) (33 - 36cm) 10pcs	10

Nasal prongs



Code	Description	Case Quantity
MEDN1200-01	• MINIFLOW Nasal prongs size micro (1pc)	10
MEDN1200-21	• MINIFLOW Nasal prongs size small (1pc)	10
MEDN1200-02	• MINIFLOW Nasal prongs size medium (1pc)	10
MEDN1200-22	• MINIFLOW Nasal prongs size large (1pc)	10
MEDN1200-03	• MINIFLOW Nasal prongs size x-large (1pc)	10
MEDN1200-04	• MINIFLOW Nasal mask size small (1pc)	10
MEDN1200-05	• MINIFLOW Nasal mask size medium (1pc)	10
MEDN1200-06	• MINIFLOW Nasal mask size large (1pc)	10
MEDN1200-07	• MINIFLOW Nasal mask size ex-large (1pc)	10

Distributed by:



Armstrong manufacture a complete range of disposable respiratory products for anaesthesia and critical care applications. For supply of these products or any product within the Armstrong range, please contact your local representative.



armstrongmedical.net

Armstrong Medical
Wattstown Business Park, Newbridge Road,
Coleraine, BT52 1BS, Northern Ireland.
T +44 (0) 28 7035 6029
F +44 (0) 28 7035 6875
info@armstrongmedical.net